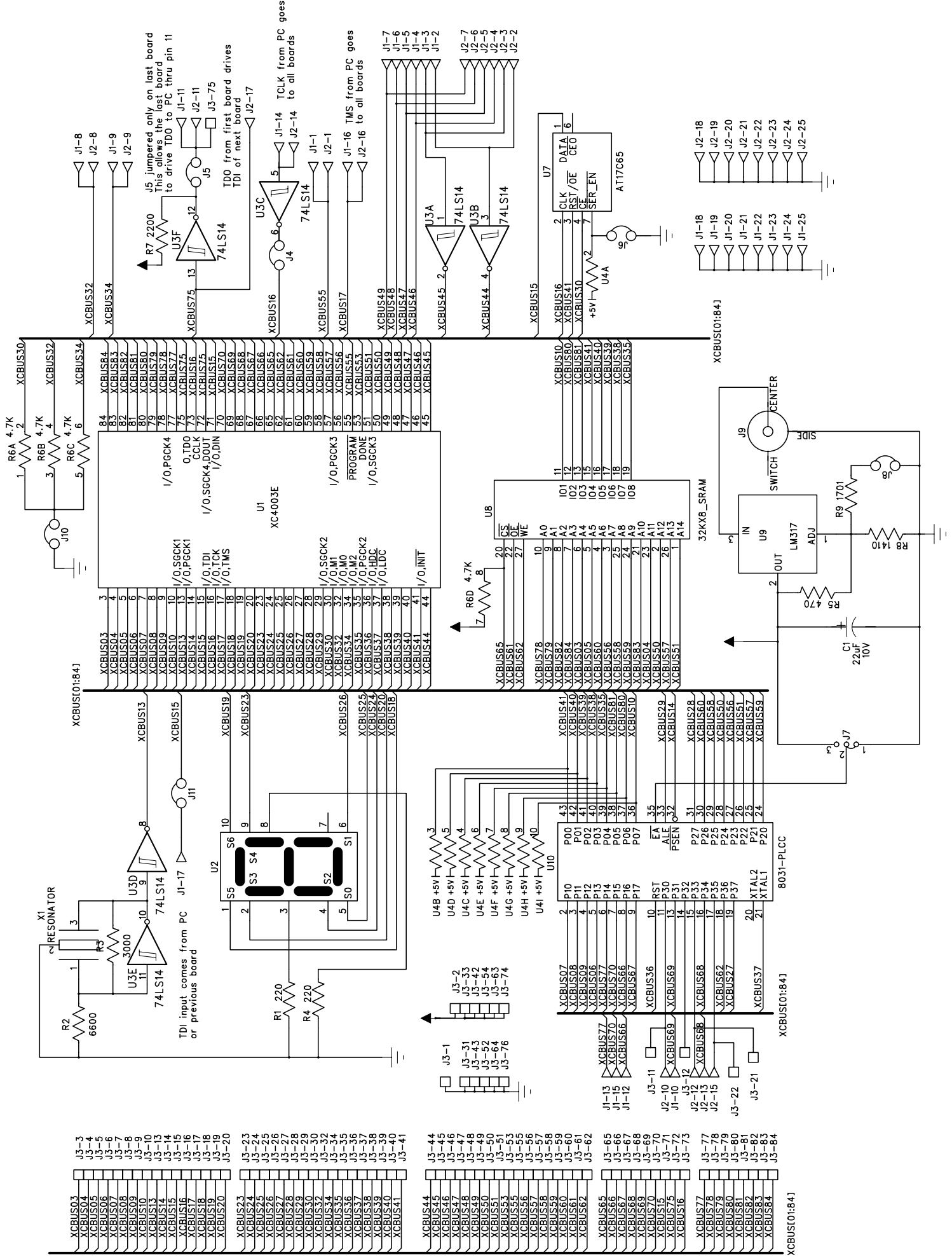
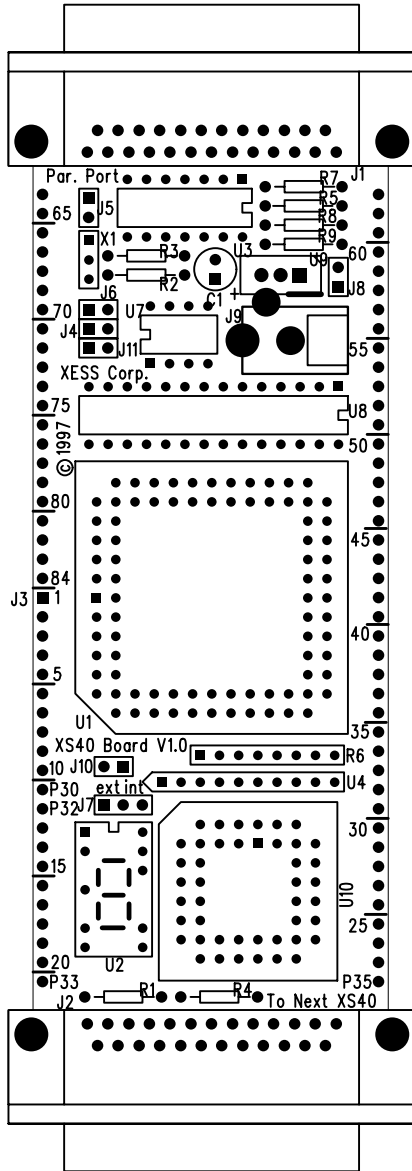


XS40 Board Version 1.0 Schematic

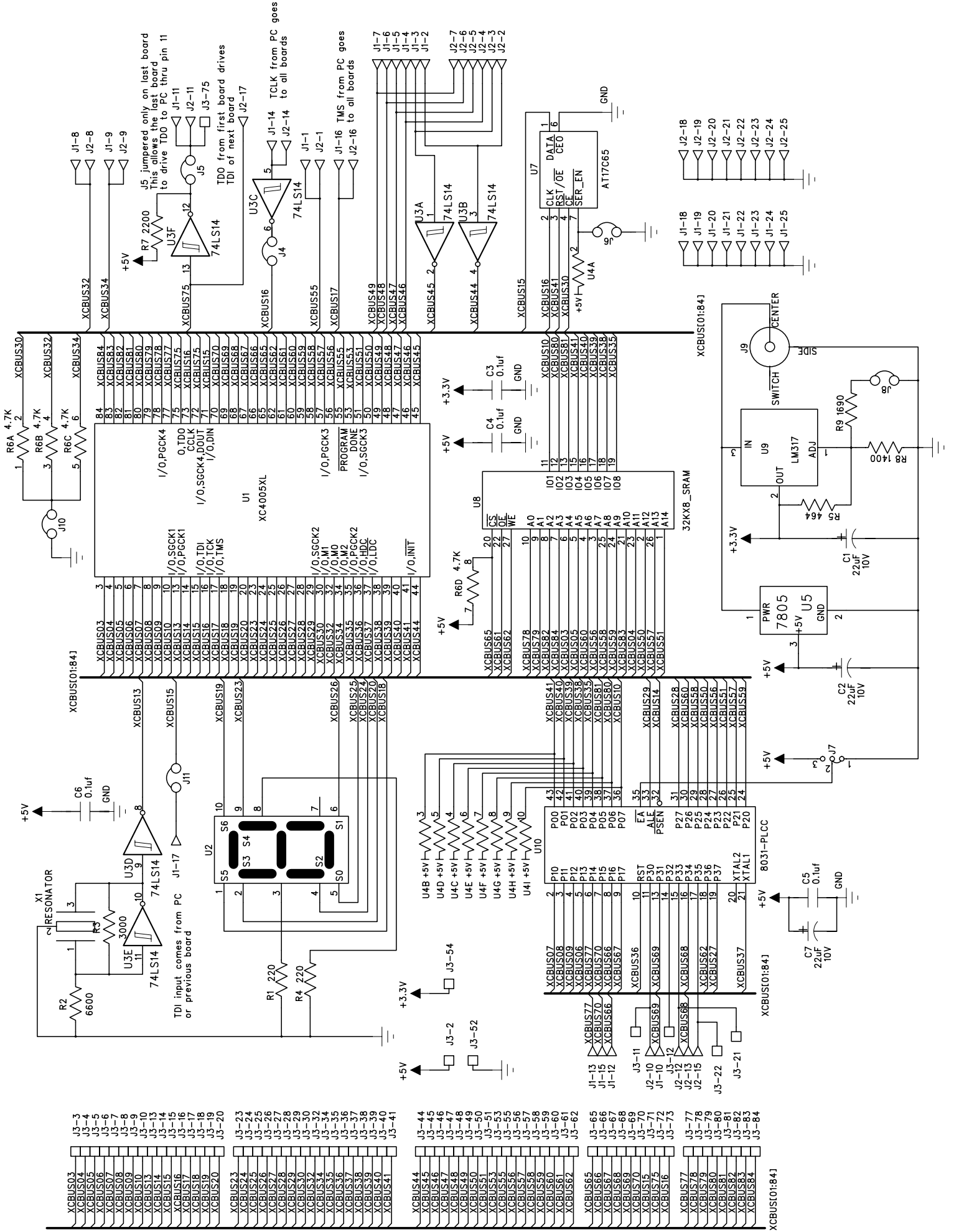


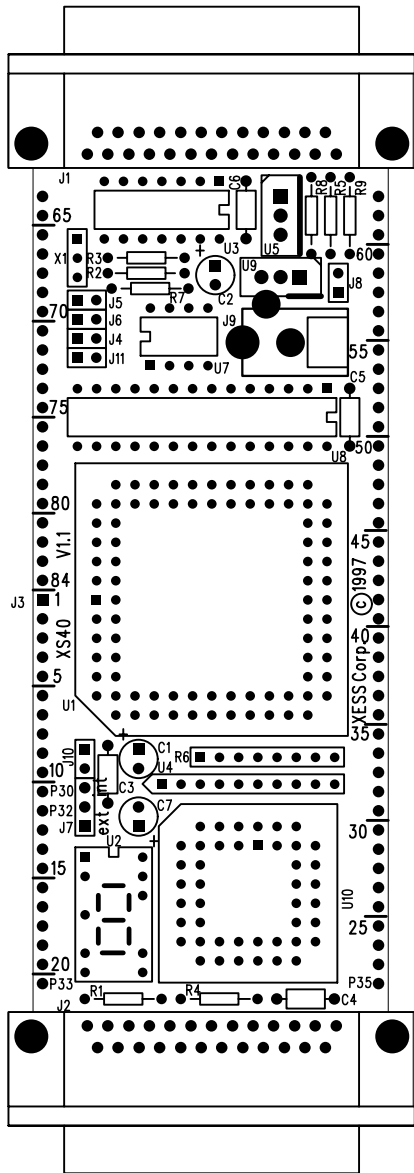


Layer 1 - TOP

Silkscreen (Top)

XS40 Board Version 1.1 Schematic

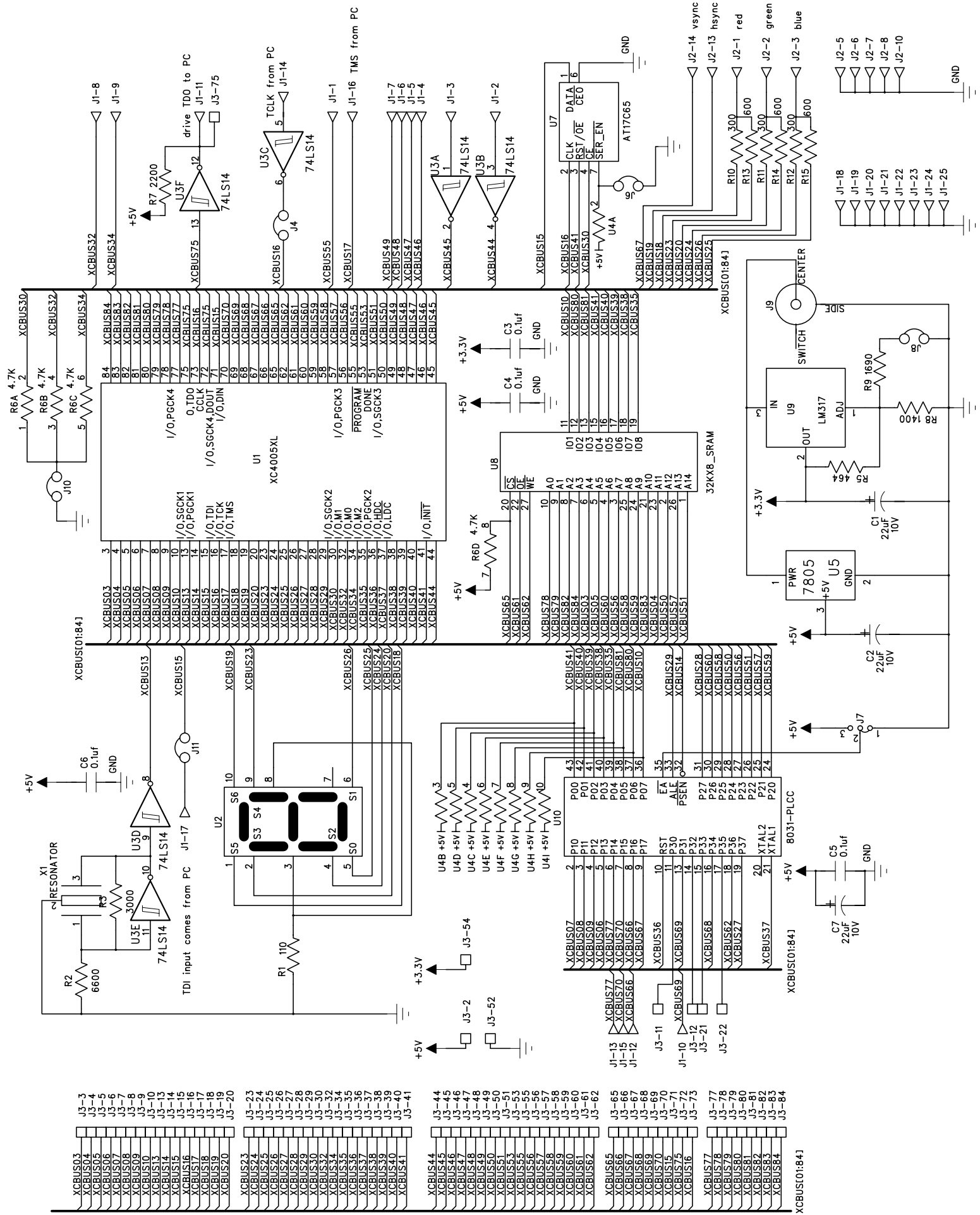




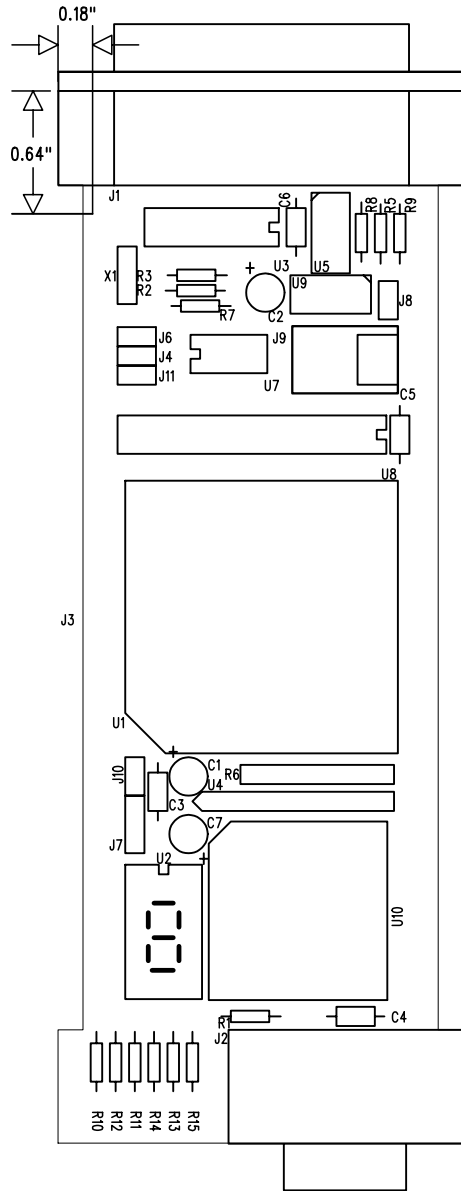
Layer 1 - TOP

Silkscreen (Top)

XS40 and XSP Board Version 1.2 Schematic



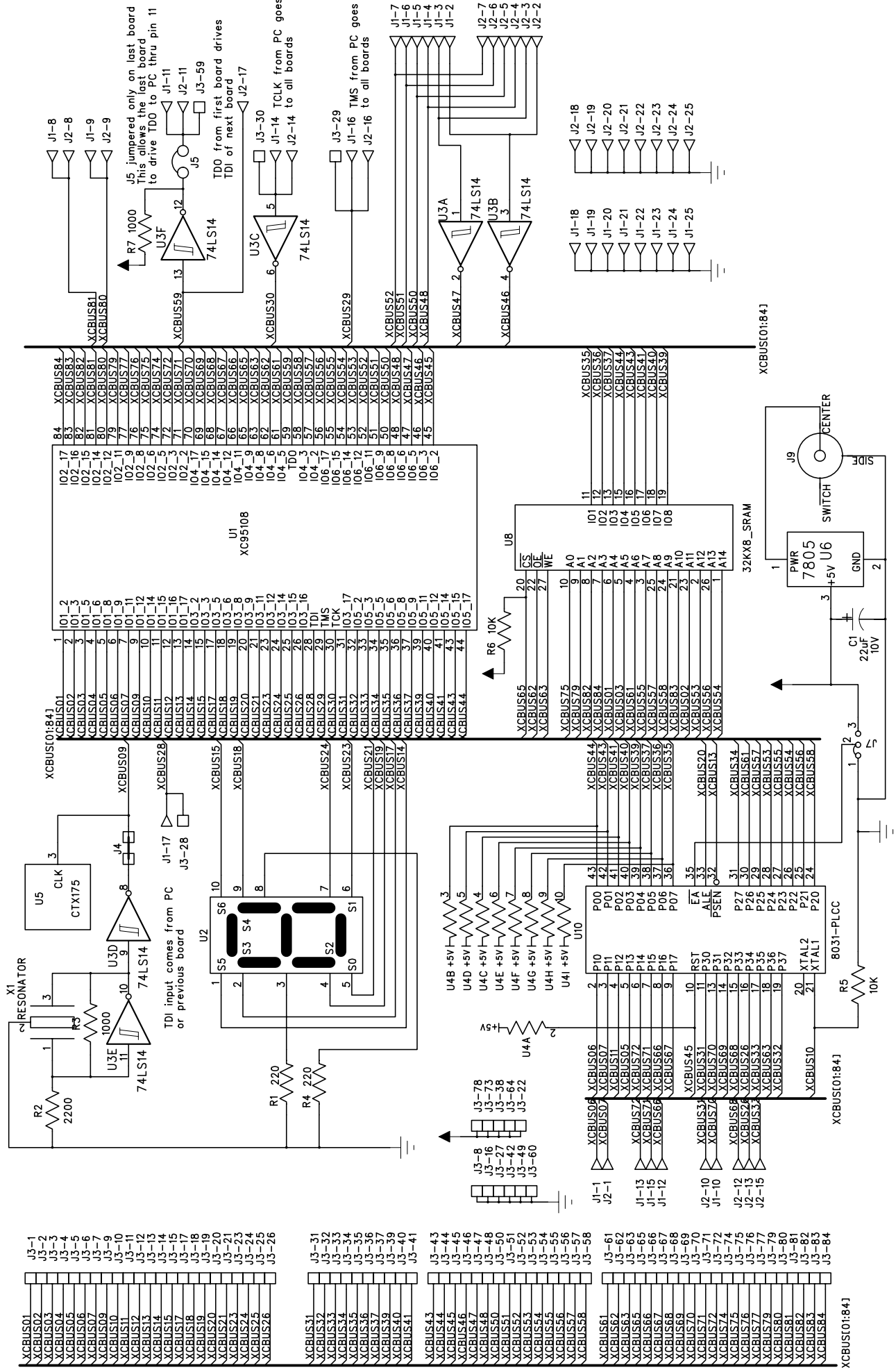
XS40 Board V1.2 Assembly Drawing - XESS Corp.

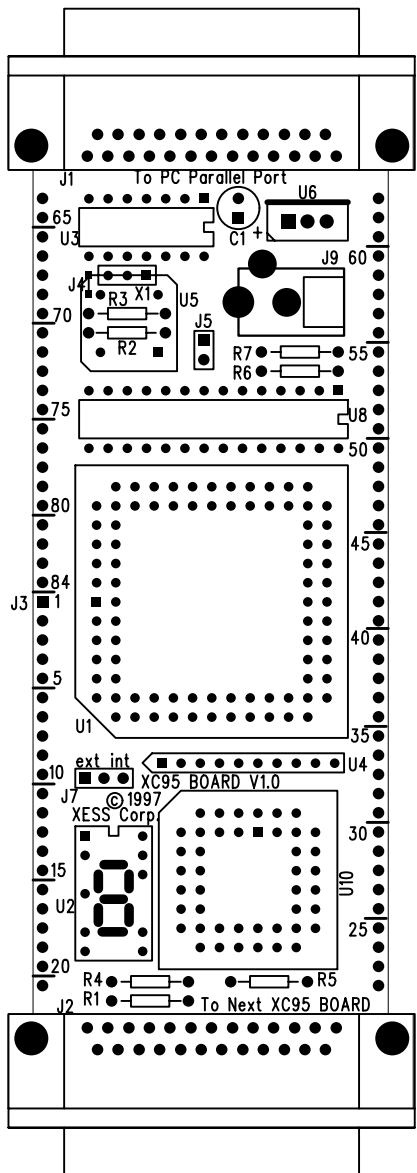


Layer 1 - TOP

Assembly Drawing (Top)

XS95 Board Version 1.0 Schematic

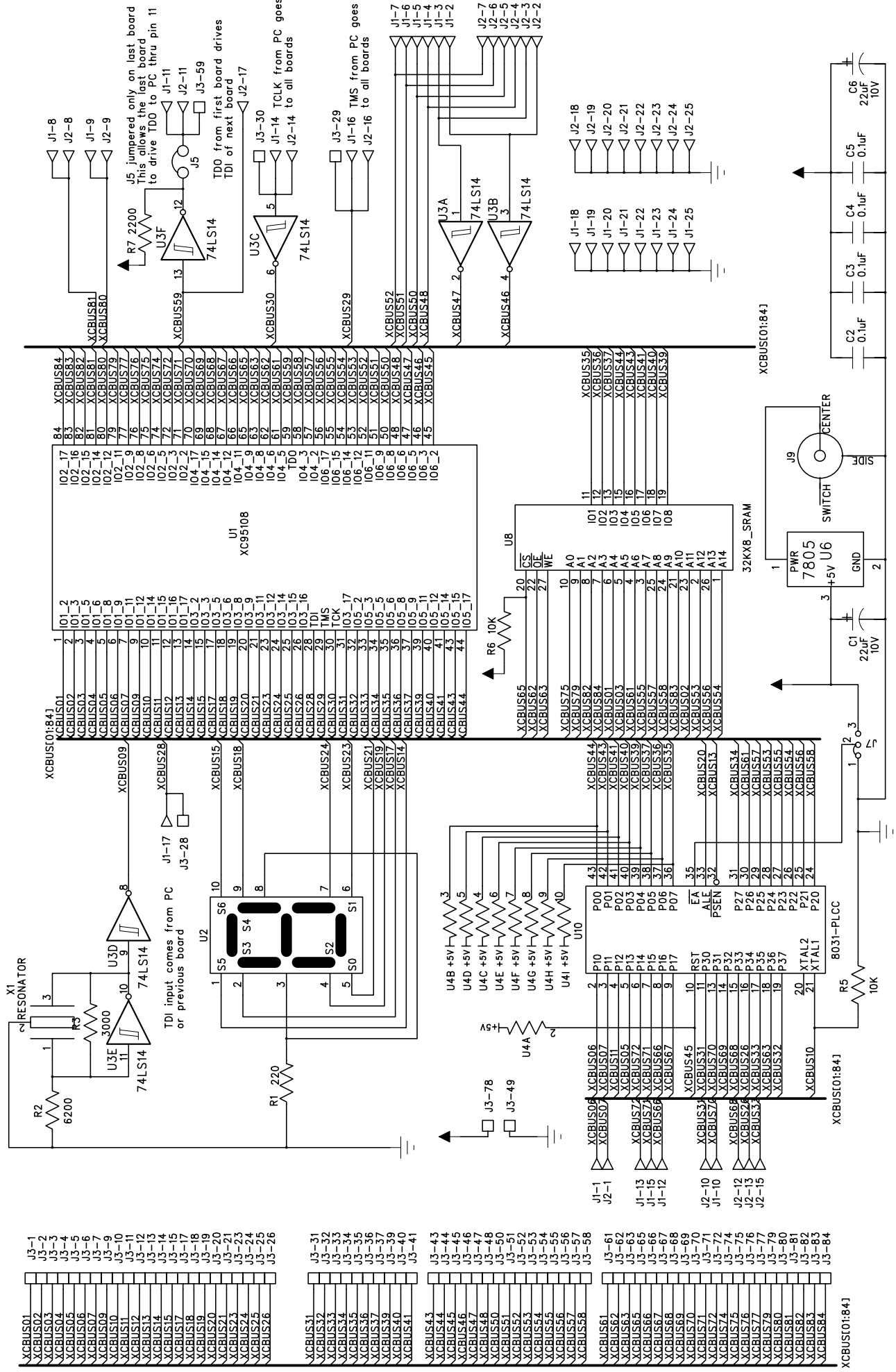


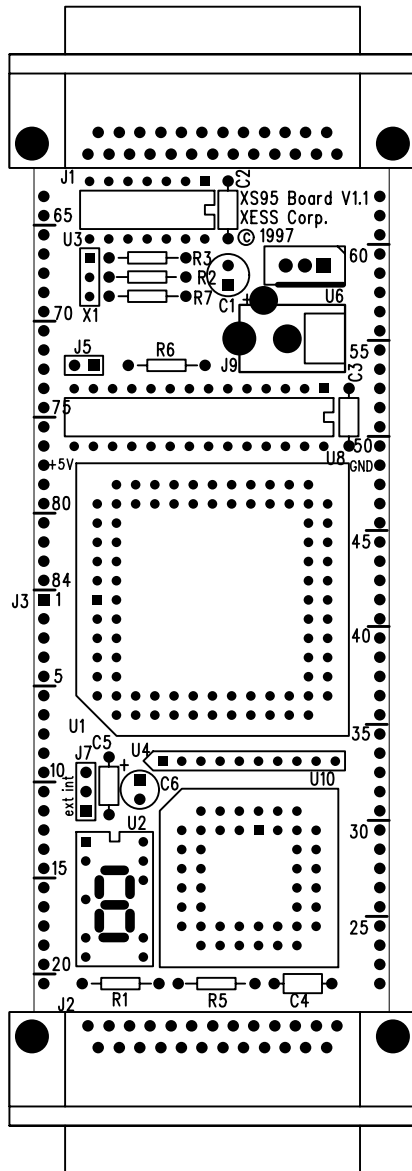


Layer 1 - TOP

Silkscreen (Top)

XS95 Board Version 1.1 Schematic

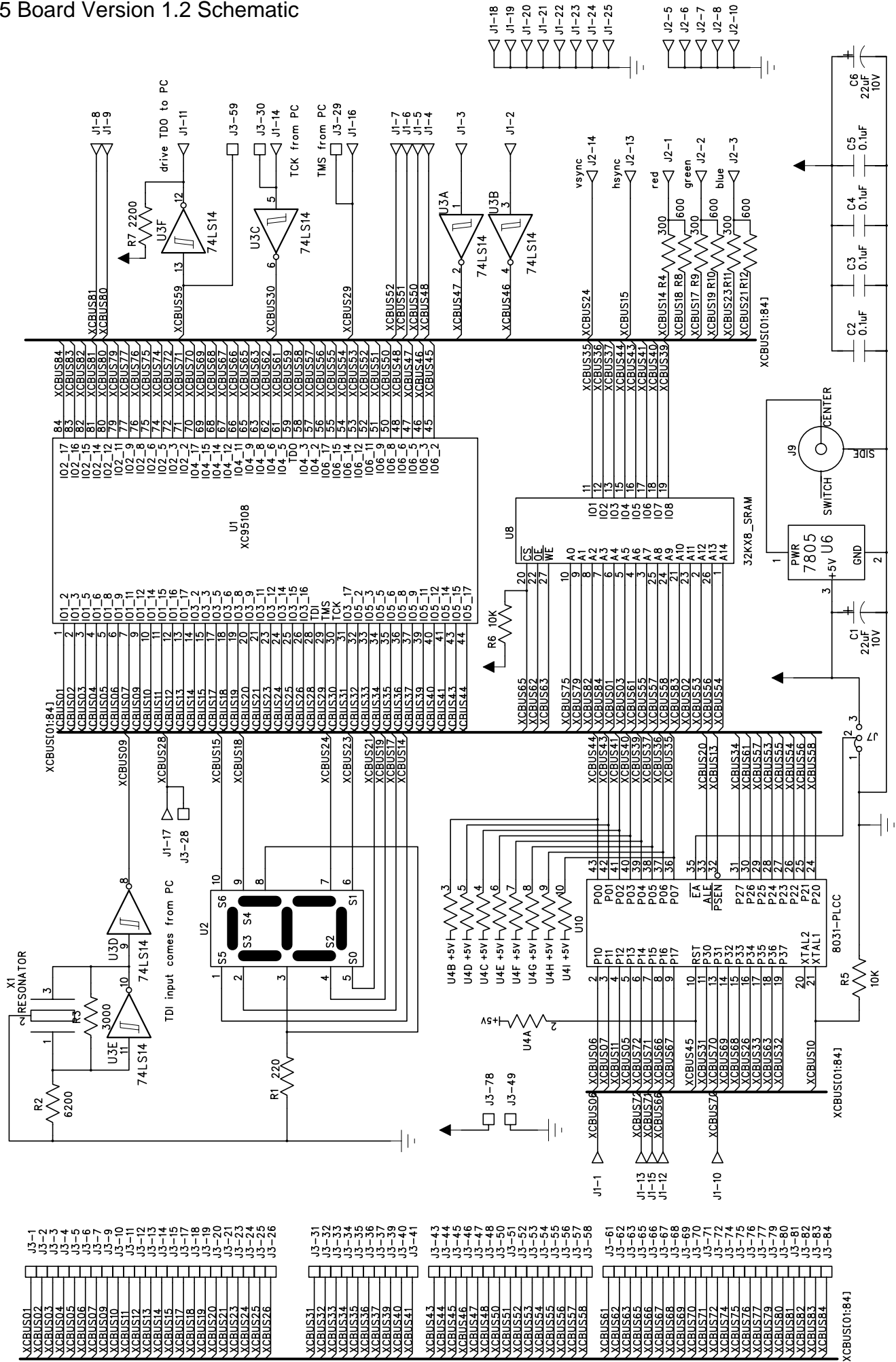




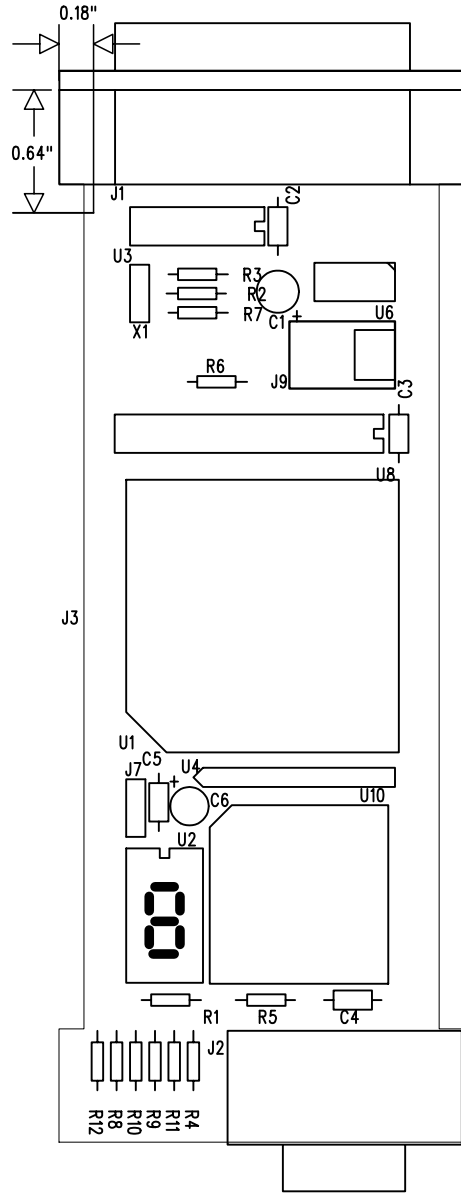
Layer 1 - TOP

Silkscreen (Top)

XS95 Board Version 1.2 Schematic



XS95 Board V1.2 Assembly Drawing - XESS Corp.



Layer 1 - TOP

Assembly Drawing (Top)